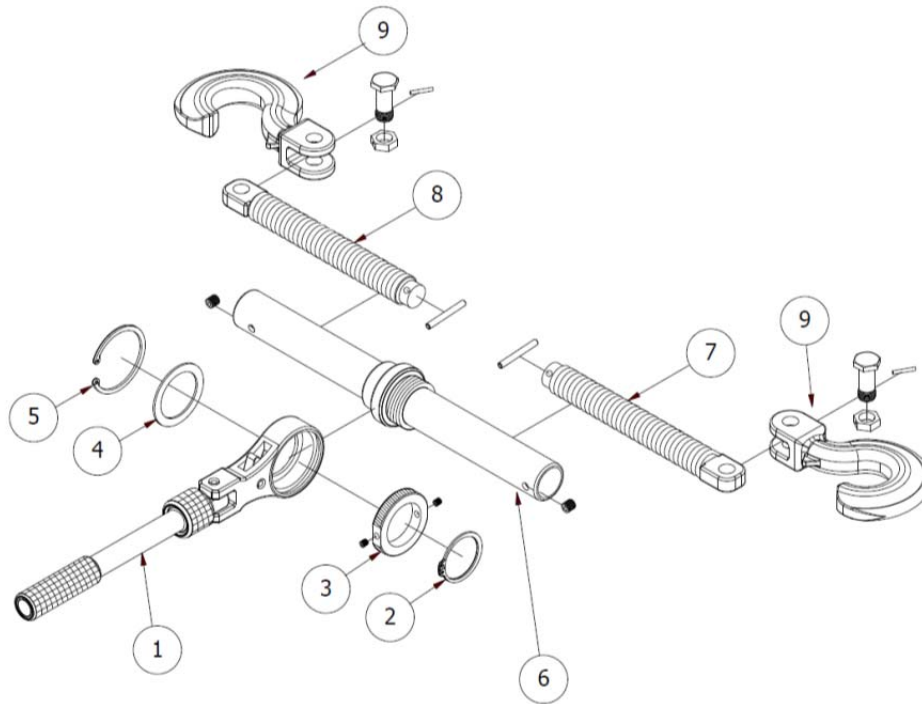


## NRP-A

- Ratchet Puller -



NO.	ASSEMBLY NAME	TONNAGE RATING	PART NUMBER	NO.	ASSEMBLY NAME	TONNAGE RATING	PART NUMBER
1	Handle Ass'y	1.5 3	NC991.5-1 NC993-1	6	Pipe Ass'y	1.5 3	NC991.5-6 NC993-6
2	Snap Ring (out)	1.5 3	NC991.5-2 NC993-2	7	R-screw	1.5 3	NC991.5-7 NC993-7
3	Lock Nut	1.5 3	NC991.5-3 NC993-3	8	L-screw	1.5 3	NC991.5-8 NC993-8
4	Washer	1.5 3	NC991.5-4 NC993-4	9	Hook Ass'y	1.5 3	NC991.5-9 NC993-9
5	Snap Ring (in)	1.5 3	NC991.5-5 NC993-5				