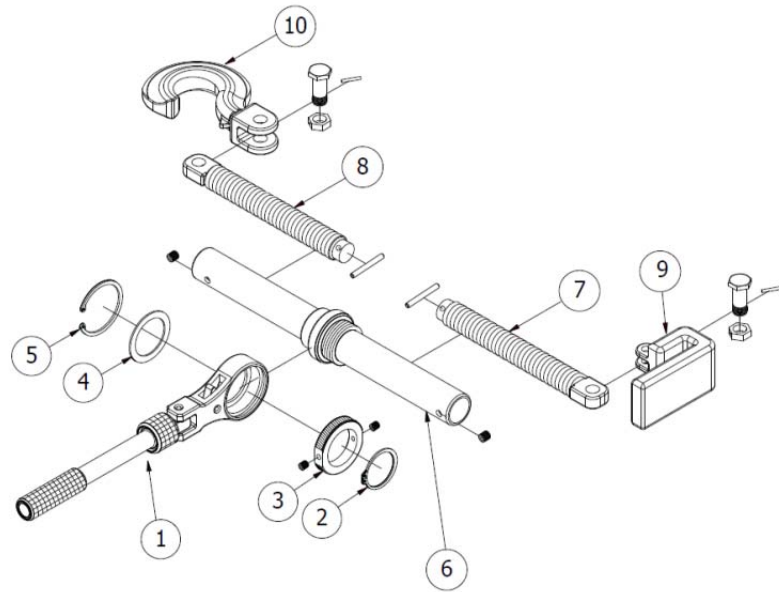


NRP-C

- Ratchet Puller -



NO.	ASSEMBLY NAME	TONNAGE RATING	PART NUMBER	NO.	ASSEMBLY NAME	TONNAGE RATING	PART NUMBER
1	Handle Ass'y	1.5	NC1011.5-1	6	Pipe Ass'y	1.5	NC1011.5-6
2	Snap Ring (out)	1.5	NC1011.5-2	7	R-screw	1.5	NC1011.5-7
3	Lock Nut	1.5	NC1011.5-3	8	L-screw	1.5	NC1011.5-8
4	Washer	1.5	NC1011.5-4	9	C-Hook Ass'y	1.5	NC1011.5-9
5	Snap Ring (in)	1.5	NC1011.5-5	10	Hook Ass'y	1.5	NC1011.5-10