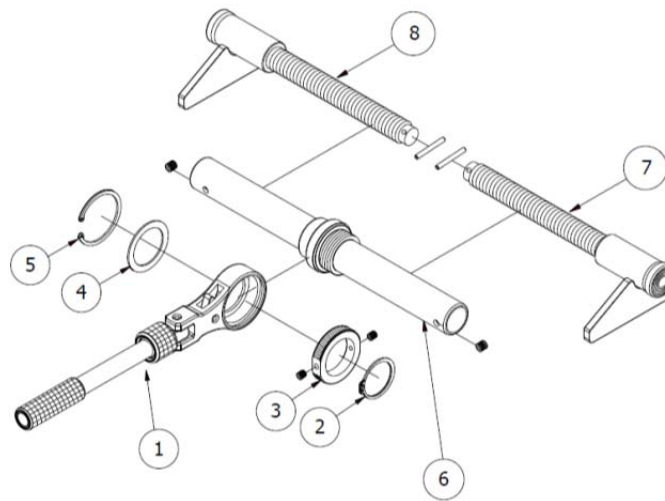


## NPR-S

- Ratchet Pusher -



NO.	ASSEMBLY NAME	TONNAGE RATING	PART NUMBER	NO.	ASSEMBLY NAME	TONNAGE RATING	PART NUMBER
1	Handle Ass'y	1.5	NC1041.5-1	5	Snap Ring (in)	1.5	NC1041.5-5
		3	NC1043-1			3	NC1043-5
		5	NC1045-1			5	NC1045-5
2	Snap Ring (out)	1.5	NC1041.5-2	6	Pipe Ass'y	1.5	NC1041.5-6
		3	NC1043-2			3	NC1043-6
		5	NC1045-2			5	NC1045-6
3	Lock Nut	1.5	NC1041.5-3	7	R-screw	1.5	NC1041.5-7
		3	NC1043-3			3	NC1043-7
		5	NC1045-3			5	NC1045-7
4	Washer	1.5	NC1041.5-4	8	L-screw	1.5	NC1041.5-8
		3	NC1043-4			3	NC1043-8
		5	NC1045-4			5	NC1045-8