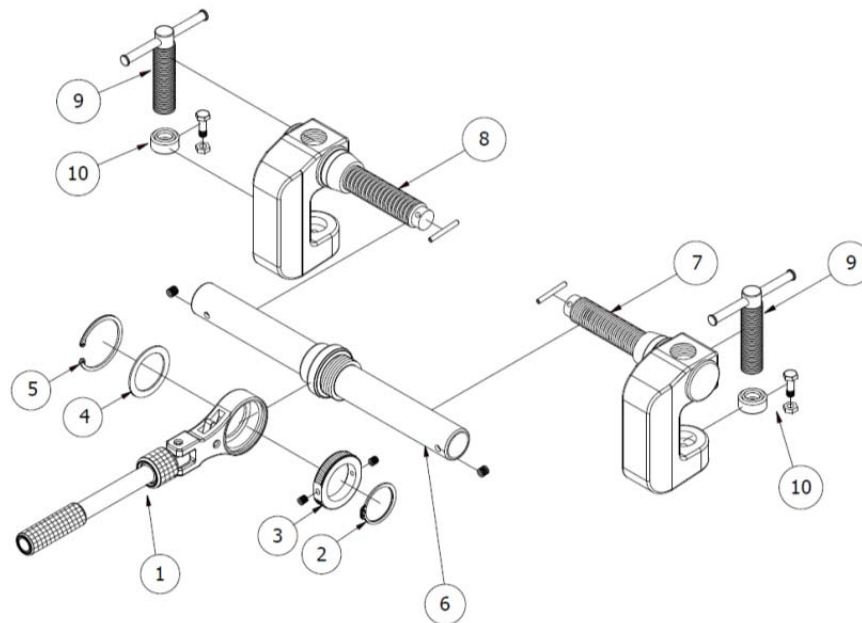


NPR-PA2

- Ratchet Pusher -



NO.	ASSEMBLY NAME	TONNAGE RATING	PART NUMBER	NO.	ASSEMBLY NAME	TONNAGE RATING	PART NUMBER
1	Handle Ass'y	2	NC1122-1	6	Pipe Ass'y	2	NC1122-6
2	Snap Ring (out)	2	NC1122-2	7	R-screw body	2	NC1122-7
3	Lock Nut	2	NC1122-3	8	L-screw Body	2	NC1122-8
4	Washer	2	NC1122-4	9	Screw Ass'y	2	NC1122-9
5	Snap Ring (in)	2	NC1122-5	10	Jaw Ass'y	2	NC1122-10