

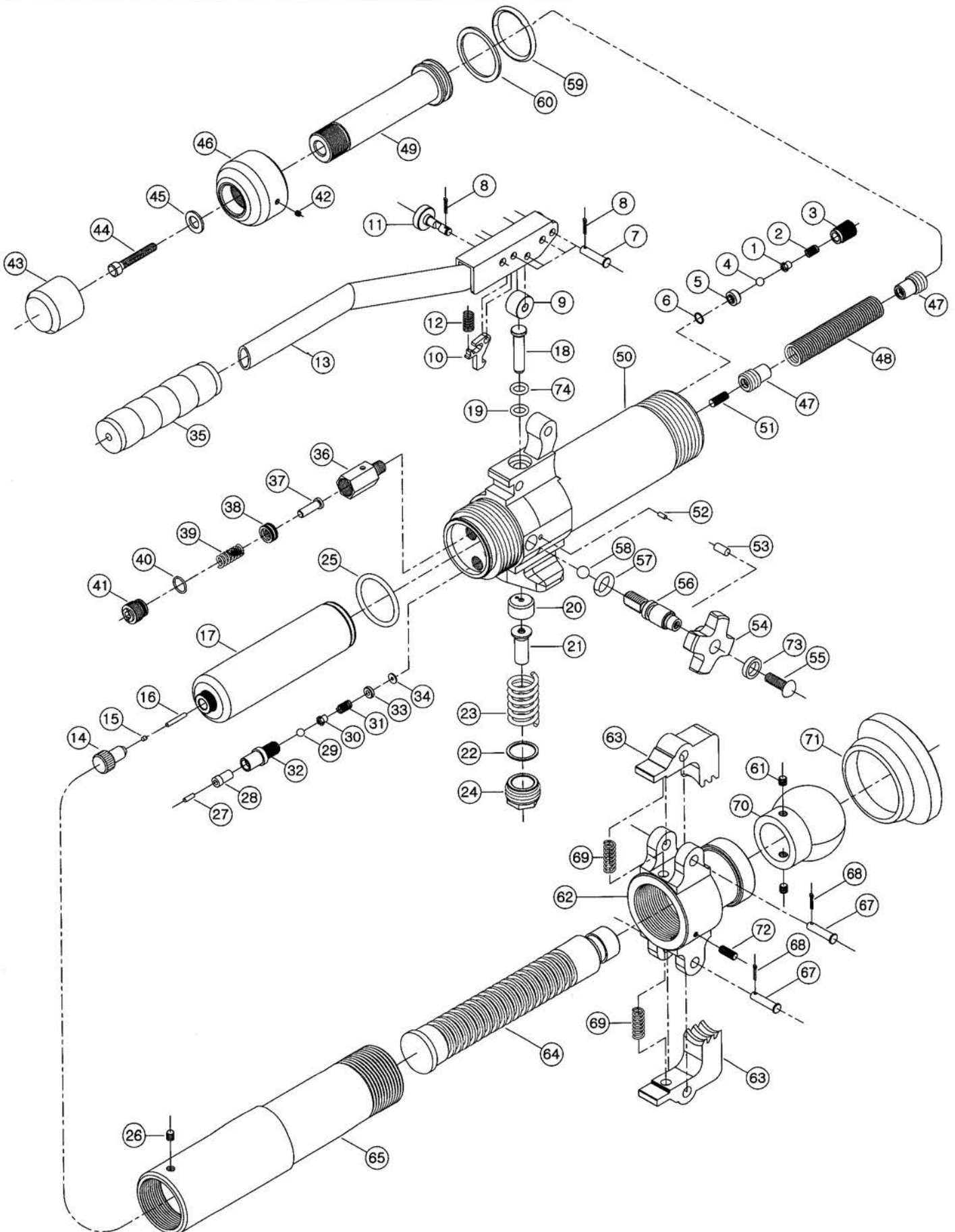


Parts
Breakdown

HYDRA-PACK

By Har-Bach Marketing

PART:
HP5T



PARTS LIST

Hydra-Pack 5-Ton Model - PART: HP5T

ITEM NO.	DESCRIPTION	SPEC	Q'TY	CODE NO.	
1	BALL PUCH		1	31A-36	
2	CHECK SPRING		1	31A-37	
3	CHECK BODY		1	31A-40	
4	STEEL BALL	3/16"	1	SB3-16	
5	BALL CASING		1	31A-75	
6	O-RING	S6	1	OS-06	
7	LEVER PIN		4	18F-07	
8	SPLIT PIN	ø2x12L	5	SPP2-12	
9	ROLLER		1	18F-09	
10	LOOK PLATE		1	18F-10	
11	LOOK PIN		1	18F-11	
12	LOOK PLATE SPRING		1	18F-12	
13	LEVER		1	18F-13	
14	OIL TUBE CAP		1	31A-84	
15	MAGNET	ø3x3L	1	31A-85	
16	PIN	ø3x20L	1	31A-86	
17	OIL TUBE		1	18F-17	
18	PLUNGER		1	18F-18	
19	O-RING	P8	1	OP-08	
20	SPRING CAP		1	18F-20	
21	PLUNGER ASSISTER		1	18F-21	
22	WASHER	ø20xø25x2t	1	18F-22	
23	PLUNGER SPRING		1	18F-23	
24	PLUNGER NUT		1	18F-24	
25	O-RING	U126	1	OU-126	
26	SET SCREW	M4x5L	1	SWB4-5	
27	MAGNETIIC PIN	ø2xø2.5x5L	1	31A-33	
28	STRAINER		1	31A-34	
29	STEEL BALL	3/16"	1	SB3-16	

PARTS LIST

Hydra-Pack 5-Ton Model - PART: HP5T

ITEM NO.	DESCRIPTION	SPEC	Q'TY	CODE NO.	
30	BALL PUCH		1	31A-36	
31	CHECK SPRING		1	31A-37	
32	MULTI BASE		1	31A-38	
33	SPRING CASING		1	31A-39	
34	WASHER	ø8.xø3.2x1t	1	31A-77	
35	HANDLE GRIP		1	18F-35	
36	HIGH RELIEF BODY		1	18F-36	
37	RELIEF ROD		1	18F-37	
38	SPRING GUIDE		1	18F-38	
39	HIGH RELIEF SPRING		1	18F-39	
40	O-RING	S12	1	OS-12	
41	HIGH RELIEF BOLT		1	18F-41	
42	SET SCREW	M5x5L	1	SWB5-5	
43	HEAD		1	18F-43	
44	WRENCH BOLT	M6x35L	1	WB6-35	
45	WASHER	1T	1	BW6-1	
46	COVER NUT		1	18F-46	
47	SPRING BOLT		2	02A-08	
48	PISTON SPRING		1	18F-48	
49	PISTON		1	18F-49	
50	PUMP BODY		1	18F-50	
51	SET SCREW	M6x25L	1	SWB6-25	
52	SPRING PIN	ø3x10L	1	SP3-10	
53	SPRING PIN	ø5x10L	1	SP5-10	
54	HANDLE COCK		1		
55	동근머리렌치볼트	M5x15L	1	RWB5-15	
56	DISCHARGE V/V ROD		1	18F-56	
57	O-RING	P7	1	OP-07	
58	STEEL BALL	7/32"	1	SB7-32	

PARTS LIST

Hydra-Pack 5-Ton Model - PART: HP5T

ITEM NO.	DESCRIPTION	SPEC	Q'TY	CODE NO.	
59	O-RING	P29	1	OP-29	
60	BACKUP RING	P29	1	BP-29	
61	SET SCREW	M6x6L	2	SWB6-6	
62	CLAMP BODY		1	18F-62	
63	INSERT		2	18F-63	
64	RACK		1	18F-64	
65	BODY		1	18F-65	
67	INSERT PIN		2	18F-67	
68	SPLIT PIN	ø2x20L	2	SPP2-20	
69	INSERT SPRING		2	18F-69	
70	SADDLE HEAD		1	18F-70	
71	SADDLE(Ø68)		1	18F-71	
71-1	SADDLE-1(Ø94)		1	18F-71-1	
72	SET SCREW	M4x10L	1	SWB4-10	
73	SPRING WASHER	M5	1	SW-5	
74	BACKUP RING	P8	1	BP-8	