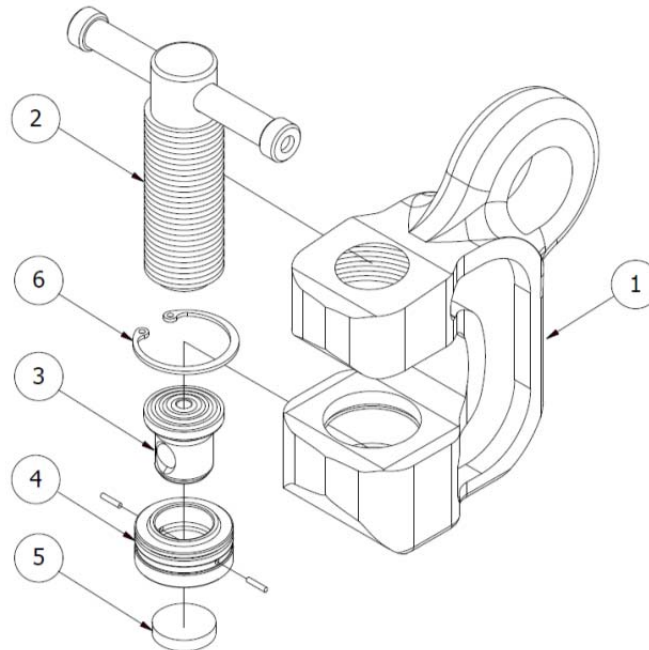


NPC-Z

- Screw Clamp -



NO.	ASSEMBLY NAME	TONNAGE RATING	PART NUMBER	NO.	ASSEMBLY NAME	TONNAGE RATING	PART NUMBER
1	Body	1.5	NC581.5-1	4	Bearing Ass'y	1.5	NC581.5-4
2	Screw Ass'y	1.5	NC581.5-2	5	End Plate	1.5	NC581.5-5
3	Swivel Jaw	1.5	NC581.5-3	6	Snap Ring	1.5	NC581.5-6